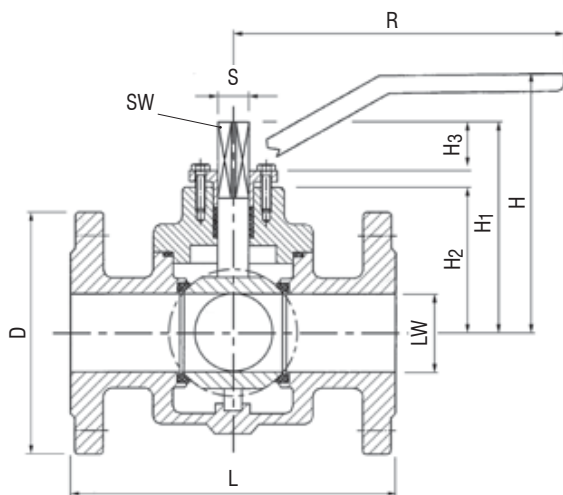


3-Wege-Kugelhahn PN 16

AW 4051: Edelstahl/Edelstahl
AW 4052: Grauguss/Edelstahl
AW 4053: Stahlguss/Edelstahl
voller Durchgang

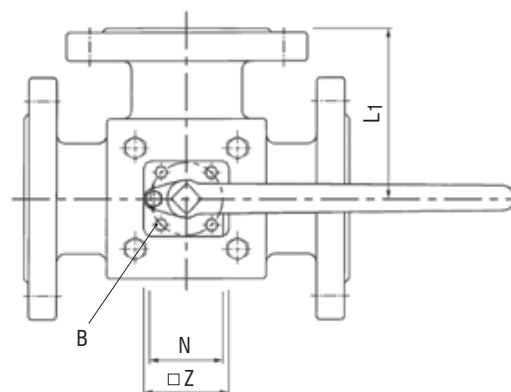
- Flanschbohrungen nach DIN PN 16



3-Way-Ball Valve PN 16

AW 4051: stainless steel/stainless steel
AW 4051: cast iron/stainless steel
AW 4053: cast steel/stainless steel
full bore

- flange drilling acc. to DIN PN 16



| AW-Nr. AW no. | Pos. item | Bezeichnung denomination | Werkstoff material | nach DIN EN acc. to DIN EN | Werkstoff-Nr. material no. |
|-------------------|--------------|--|-----------------------------|-------------------------------|-------------------------------|
| 4051 | 1 | Gehäuse, Deckel, Stopfbuchse body, cover, gland | Edelstahl / stainless steel | GX5CrNiMo19-11-2 | 1.4408 |
| | 2 | Kugel / ball | Edelstahl / stainless steel | GX5CrNiMo19-11-2 | 1.4408 |
| 4052 | 1 | Gehäuse, Deckel, Stopfbuchse body, cover, gland | Grauguss / cast iron | EN-GJL-250 | EN-JL1040 |
| | 2 | Kugel / ball | Edelstahl / stainless steel | GX5CrNi19-10 | 1.4308 |
| 4053 | 1 | Gehäuse, Deckel, Stopfbuchse body, cover, gland | Stahlguss / cast steel | GP240GH | 1.0619 |
| | 2 | Kugel / ball | Edelstahl / stainless steel | GX5CrNi19-10 | 1.4308 |
| alle / all | 3 | Dichtungen / sealings | PTFE | | |
| | 4 | Handhebel / lever | Grauguss / cast iron | EN-GJL-250 | EN-JL1040 |

| DN | LW | L | L ₁ | H | H ₁ | H ₂ | H ₃ | R | D | Z | S | N | B | SW | ≈ kg |
|-----|-----|-----|----------------|-----|----------------|----------------|----------------|-----|-----|-----|------|--------|-----|------|------|
| 25 | 25 | 180 | 90 | 135 | 103 | 73 | 17 | 175 | 125 | 55 | 16 | 50F05 | M6 | 12 | 9,5 |
| 40 | 39 | 190 | 95 | 135 | 133 | 83 | 28 | 235 | 150 | 70 | 21,5 | 70F07 | M8 | 16 | 13,0 |
| 50 | 49 | 220 | 110 | 135 | 136 | 86 | 37 | 235 | 165 | 85 | 21,5 | 70F07 | M8 | 18 | 17,0 |
| 65 | 63 | 250 | 125 | 210 | 146 | 93 | 37 | 340 | 185 | 95 | 25 | 102F10 | M10 | 19,5 | 27,0 |
| 80 | 74 | 260 | 130 | 210 | 156 | 103 | 130 | 340 | 200 | 100 | 25 | 102F10 | M10 | 19,5 | 29,0 |
| 100 | 100 | 340 | 170 | 210 | 172 | 122 | 170 | 340 | 200 | 100 | 25 | 102F10 | M10 | 19,5 | 45,0 |

Verwendung

für Wasser, Öle, Gase, Laugen, Kraftstoffe, Lösungsmittel usw.

Application

for water, oil, gases, alkalines, fuel, solvent etc.

- gegengelagerte Kugel mit integrierter Schaltwelle
ball with counter-bearing and integrated gearshift lever shaft

- Bohrung für Antriebsaufbau
bore for the installation of an actuator

Maße und Gewichte können je nach Hersteller abweichen / depending on manufacturers measures and weight can change

| | |
|---------------------------------|---------------------------------|
| Temperatur / temperature | -10°C bis / up to +180°C |
|---------------------------------|---------------------------------|